

2. Specification

Model No.		MKA-600R(A)	MKA-750R(A)	MKA-850R(A)	
Airflow (Hi-speed)	CFM	600	750	850	
	m ³ /h	1000	1250	1400	
Cooling Capacity (Hi-speed)	W	5718	6987	7268	
	Btu/h	19510	23840	24800	
Heating Capacity (Hi-speed)	W	9663	11553	12415	
	Btu/h	32970	39420	42360	
Noise (Hi-speed)	dB(A)	45	46	47	
Water Flow	l/min	16.4	20.0	20.8	
Water Pressure Drop	kPa	23.8	25.2	27	
Indoor Coil	Number Of Rows	2	2	2	
	Tube Pitch(A)×Row Pitch(B)	mm	21×13.37		
	Fin Spacing	mm	1.5		
	Fin Type		Hydrophilic aluminum		
	Tube Outside Dia. And Type	mm	φ7, bare tube		
	Coil dimension (L×H×W)	mm	1959.4×168×26.74	1959.4×252×26.74	
	Number Of Circuits		8	12	
Fan Motor	Type		Low noise 4-speed fan motor		
	Number		1		
	Model		YDK80-6E	YDK90-6E	
	Input	W	120/110/100/90	120/110/100/90	165/143/116/100
	Capacitor	uF	3uF/450V	3.5uF/450V	2.5uF/450V
Auxiliary Electrical Heater	kW	2.1	2.1	2.7	
Indoor Unit	Dimension (W×H×D)	mm	840×230×840		
	Packing (W×H×D)	mm	955×247×955		
	Net/Gross Weight	kg	29/36		
Panel	Dimension (W×H×D)	mm	950×46×950		
	Packing (W×H×D)	mm	1035×90×1035		
	Net/Gross Weight	kg	6/9		
Control Mode		wired controller(optional), remote controller (standard)			
Pipe	Water-Inlet Pipe		RC3/4" internal thread		
	Water-Return Pipe		RC3/4" internal thread		
	Condensation Water-Outlet Pipe		EVA+LDPE 3/4" external thread		

- Remark:**
- All performance data above is based upon 0Pa ambient static pressure.
 - Cooling capacity test condition: air inlet Temp. : 27DB°C/19WB°C, water inlet Temp. 7°C, water Temp. difference 5°C.
 - Heating capacity test condition:
Air inlet Temp. 21DB°C, water inlet Temp. 50 DB°C
The volume of air and water is same as cooling.
 - Noise level is tested in full-anechoic room.
 - The auxiliary electrical heater is only available for MKA-XXXRA series.

Model No.		MKA-950R(A)	MKA-1200R(A)	MKA-1500R(A)
Airflow (Hi-speed)	CFM	950	1200	1500
	m ³ /h	1600	2000	2550
Cooling Capacity (Hi-speed)	W	8220	10390	12866
	Btu/h	28050	35450	43900
Heating Capacity (Hi-speed)	W	13845	17585	21043
	Btu/h	47240	60000	71800
Noise (Hi-speed)	dB(A)	48	49	49
Water Flow	l/min	23.6	29.8	36.9
Water Pressure Drop	kPa	31.2	44	46
Indoor Coil	Number Of Rows		2	
	Tube Pitch(A)×Row Pitch(B)	mm	21×13.37	
	Fin Spacing	mm	1.5	
	Fin Type		Hydrophilic aluminum	
	Tube Outside Dia. And Type	mm	φ7, bare tube	
	Coil dimension (L×H×W)	mm	1959.4×252×26.74	
	Number Of Circuits		12	
Fan Motor	Type		Low noise 4-speed fan motor	
	Number		1	
	Model		YDK90-6E	
	Input	W	165/143/116/100	
	Capacitor	uF	3uF/450V	3.5uF/450V
Auxiliary Electrical Heater	kW	2.7		
Indoor Unit	Dimension (W×H×D)	mm	840×300×840	
	Packing (W×H×D)	mm	955×317×955	
	Net/Gross Weight	kg	35/42	
Panel	Dimension (W×H×D)	mm	950×46×950	
	Packing (W×H×D)	mm	1035×90×1035	
	Net/Gross Weight	kg	6/9	
Control Mode		wired controller(optional), remote controller (standard)		
Pipe	Water-Inlet Pipe		RC3/4" internal thread	
	Water-Return Pipe		RC3/4" internal thread	
	Condensation Water-Outlet Pipe		EVA+LDPE 3/4" external thread	

Remark:

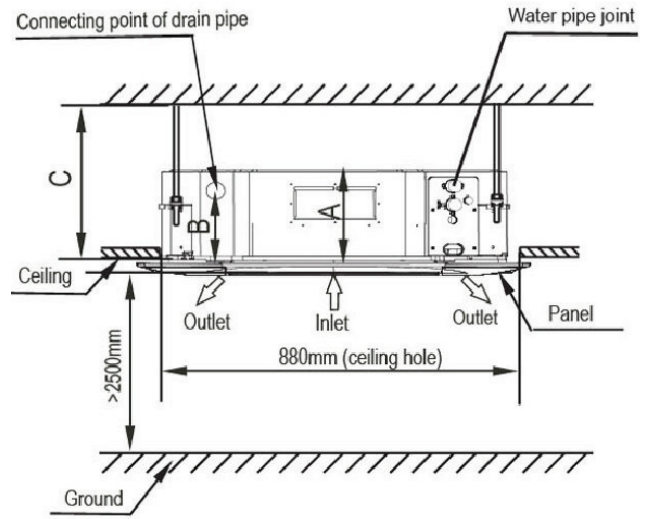
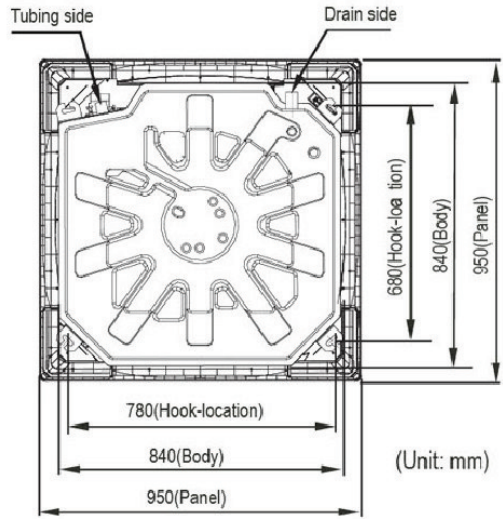
- All performance data above is based upon 0Pa ambient static pressure.
- Cooling capacity test condition: air inlet Temp. : 27DB°C/19WB°C, water inlet Temp. 7°C, water Temp. difference 5°C.
- Heating capacity test condition: Air inlet Temp. 20DB°C, water inlet Temp. 50 DB°C, the volume of air and water is same as cooling.
- Noise level is tested in full-anechoic room.
- The auxiliary electrical heater is only available for MKA-XXXRA series.

2. Specification

TYPE			MKB-300R(A)	MKB-400R(A)	MKB-450R	MKB-500R
Airflow	CFM		300	400	450	500
	m ³ /h		500	630	710	800
Cooling Capacity	W		2989	3780	4982	5480
	Btu/h		10200	12900	17000	18700
Heating Capacity	W		4484	5671	7620	8220
	Btu/h		15300	19350	26000	28050
Noise	dB(A)		39	41	42	43
Water flow	l/min		8.6	10.8	14.3	15.7
Water resistance	kPa		10.1	14.5	18.3	27.1
Indoor Coil	Number of rows		2	2	3	3
	Tube pitch(a)x row pitch(b)	mm	21×13.37			
	Fin spacing	mm	1.4			
	Fin type		Hydrophilic aluminium			
	Tube outside dia. and type	mm	φ7, bare tube			
	Coil length×height×width	mm	1245.5×210×26.74		1230×210×40.11	
	Number of circuits		5	5	7	7
Fan motor	Type		Low noise 4-speed fan motor			
	Number		1			
	Model		YDK45-4F-3		YDK37-4F-3	
	Input	W	63/57/47		85/79/71	85/79/71
	Capacitor	uF	1uF/450V	1.5uF/450V	2uF/450V	2.5uF/450V
Indoor unit	Dimension (W×H×D)	mm	580×254×580			
	Packing (W×H×D)	mm	750×340×745			
	Net/Gross weight	kg	23/29		23/29	
Panel	Dimension (W×H×D)	mm	650×20×650			
	Packing (W×H×D)	mm	715×115×715			
	Net/Gross weight	kg	3/5			
Control mode		wired controller(optional), remote controller (standard)				
Auxiliary electrical heater	W		1000		/	
Pipe	Water-inlet pipe		RC3/4" internal thread			
	Water-return pipe		RC3/4" internal thread			
	Condensate outlet pipe		EVA+LDPE 3/4" external thread			

- Remark:**
- All performance data above is based upon 0Pa ambient static pressure.
 - Cooling capacity test condition: air inlet Temp. : 27DB°C/19WB°C, water inlet Temp. 7°C, water Temp. difference 5°C.
 - Heating capacity test condition:
Air inlet Temp. 21DB°C, water inlet Temp. 50 DB°C
The volume of air and water is same as cooling.
 - Noise level is tested in full-anechoic room.
 - The auxiliary electrical heater is only available for MKB-XXXRA series.

3. Dimensions



Model	A	B	C
600CFM, 750CFM	230	170	>260
850CFM, 950CFM, 1200CFM, 1500CFM	300	190	>330

3. Dimensions

MKB-300R(A)、MKB-400R(A)、MKB-450R、MKB-500R

